

Respirators

Non Approved Nuisance Mask



Features

- Disposable face mask
- Designed to fit a range of face sizes

Standards

- Non approved

Stock Code	Description
P3100	Non Approved Nuisance Mask

Respirators

FFP1 Moulded Dust Respirator



Features

- Respiratory protection against non toxic dusts and powders
- Comfortable, lightweight, off the face design
- Designed to fit a range of face sizes

Standards

- EN149:2001
- FFP1 protects against non-toxic solid and liquid aerosols

Stock Code	Description
P3110	FFP1 Moulded Dust Respirator

Respirators

FFP1 Moulded Dust Respirator c/w Exhalation Valve



Features

- Respiratory protection against non toxic dusts and powders
- Includes an exhalation valve to allow exhaled air to be vented from the mask without compromising protection
- Comfortable, lightweight, off the face design
- Designed to fit a range of face sizes

Standards

- EN149:2001
- FFP1 protects against non-toxic solid and liquid aerosols

Stock Code	Description
P3110V	FFP1 Moulded Dust Respirator c/w Exhalation Valve

Respirators

FFP2 Moulded Dust/Mist Respirator



Features

- Respiratory protection against low to average toxicity dusts and powders
- Comfortable, lightweight, off the face design
- Designed to fit a range of face sizes

Standards

- EN149:2001
- FFP2 protects against low to average toxicity, solid and liquid aerosols

Stock Code	Description
P3120	FFP2 Moulded Dust/Mist Respirator

Respirators

FFP2 Moulded Dust/Mist Respirator c/w Exhalation Valve



Features

- Respiratory protection against low to average toxicity dusts and powders
- Includes an exhalation valve to allow exhaled air to be vented from the mask without compromising protection
- Comfortable, lightweight, off the face design
- Designed to fit a range of face sizes

Standards

- EN149:2001
- FFP2 protects against low to average toxicity, solid and liquid aerosols

Stock Code	Description
P3121V	FFP2 Moulded Dust/Mist Respirator c/w Exhalation Valve

Respirators

FFP2 Moulded Active Carbon Respirator c/w Exhalation Valve



Features

- Respiratory protection for fine particles with active carbon layer, offering relief from ozone and low levels of gases and vapours below OEL Limits
- Comfortable, lightweight, off the face design
- Designed to fit a range of face sizes

Standards

- EN149:2001
- FFP2 protects against low to average toxicity, solid and liquid aerosols

Stock Code	Description
P3122V	FFP2 Moulded Active Carbon Respirator c/w Exhalation Valve

Respirators

FFP3 Moulded Dust/Mist/Fume Respirator c/w Exhalation Valve



Features

- Respiratory protection against highly toxic dusts and powders
- Includes an exhalation valve to allow exhaled air to be vented from the mask without compromising protection
- Designed to fit a range of face sizes

Standards

- EN149:2001
- FFP3 protects against high toxicity, solid and liquid aerosols

Stock Code	Description
P3130V	FFP3 Moulded Dust/Mist/Fume Respirator c/w Exhalation Valve

Face Protection

Polycarbonate Clear 8" (200mm) Visor



Features

- Protects against flying particles and liquid splash
- Compact and lightweight
- Fits visor carrier

Materials

- Polycarbonate

Standards

- EN166:39B

Stock Code	Description
P3260	Polycarbonate Clear 8" (200mm) Visor

Face Protection

Visor Carrier



Features

- High impact nylon carrier with toggle fastening for easy acceptance of clear visor
- Fits 30mm accessory slot on safety cap
- Accepts clear visor

Standards

- EN166:2001

Stock Code	Description
P3263	Visor Carrier

Face Protection

Browguard c/w Headgear



Features

- Via toggle fastenings the brow guard accepts the clear visor
- Comfortable and lightweight
- Tough and durable

Standards

- EN166:39B

Stock Code	Description
P3266	Browguard c/w Headgear

Safety Caps

Safety Cap



Features

- 6 point economy plastic cradle
- 4 point nylon web suspension
- 4 point chin strap anchorage
- 3 level height adjustment
- Adjustable size settings

Materials

- Polyethylene

Standards

- EN397:1995

Colours

- Yellow and White

Stock Code	Description
P3200Y	Safety Cap – Yellow
P3200W	Safety Cap – White

Safety Caps

Industrial Safety Cap



Features

- 6 point nylon web suspension with forefront comfort band
- 30mm accessory slots for other PPE
- Easy adjustable headgear for head sizes 50 to 66cm
- Simple and comfortable to use

Materials

- ABS

Standards

- EN397:1995

Colours

- Yellow and White

Stock Code	Description
P3220Y	Industrial Safety Cap – Yellow
P3220W	Industrial Safety Cap – White

Spectacles
Clear Visitor Spectacle



Features

- Optical Class 1
- Vented side shields
- Lightweight polycarbonate lens
- Can be worn over prescription spectacles

Materials

- Clear polycarbonate frame

Standards

- Conforms to EN166 1FT

Stock Code	Description
P3430	Clear Visitor Spectacle

Spectacles
Clear Safety Spectacle



Features

- Optical Class 1
- Black nylon frame with internal brow guard
- Panoramic vision
- Adjustable arms
- Non-slip nose piece

Materials

- Black nylon frame
- Clear polycarbonate lens

Standards

- Conforms to EN166 1F

Stock Code	Description
P3420	Clear Safety Spectacle

Black loop cords available on request

Spectacles
Nylon Black Frame Spectacle



Features

- Optical Class 1
- Low profile wraparound sports design
- Panoramic vision
- Anti-scratch
- Adjustable side arms

Materials

- Nylon frame
- Polycarbonate lens

Standards

- Conforms to EN166 1FT

Stock Code	Description
P3410	Nylon Black Frame Spectacle – Clear Lens
P3410A	Nylon Black Frame Spectacle – Amber Lens
P3410S	Nylon Black Frame Spectacle – Smoked Lens

Black loop cords available on request

Spectacles

Sports Black and Red Frame with Clear Lens Spectacle



Features

- Optical Class 1
- Low profile wraparound sports design
- Panoramic vision
- Anti-scratch
- Cushioned temple/side arms
- Comfortable, lightweight and flexible

Materials

- Nylon black and red frame
- Clear Polycarbonate lens

Standards

- Conforms to EN166 1F

Stock Code	Description
P3440	Sports Black and Red Frame Spectacle – Clear Lens

Black loop cords available on request

Goggles

Panoramic Safety Goggle Direct



Features

- Designed for impact protection
- Clear PVC frame with direct ventilation
- Can be worn over prescription spectacles
- Adjustable strap

Materials

- PVC

Standards

- EN166-1-49BT

Colours

- Clear

Stock Code	Description
P3300D	Panoramic Safety Goggle Direct Ventilation – Clear

Goggles

Panoramic Safety Goggle Indirect



Features

- Designed for impact protection
- Clear PVC frame with indirect ventilation
- Can be worn over prescription spectacles
- Adjustable strap

Materials

- PVC

Standards

- EN166-1-394BT

Colours

- Clear

Stock Code	Description
P3300	Panoramic Safety Goggle Indirect Ventilation – Clear

Goggles
Ski Type Welding Goggle



Features

- One piece goggle with soft moulded body
- Spatter resistant acetate lens
- Wide vision
- Shade 5 lens

Standards

- EN166 and EN169

Stock Code	Description
P3310	Ski Type Welding Goggle

Goggles
Round Lens Flip Up Welding Goggle



Features

- One piece goggle with soft moulded body
- Flip front design
- Indirect vent PVC housing
- 50mm polycarbonate lens
- Clear and shade 5 lens

Standards

- EN166, EN175 and EN169

Stock Code	Description
P3330	Round Lens Flip Up Welding Goggle

Goggles
4 1/4" x 2" (108mm x 50mm) Flip Up Welding Goggle



Features

- One piece goggle with soft moulded body
- Flip front design
- Indirect vent PVC housing
- Clear and Shade 5 lens

Standards

- EN166, EN175 and EN169

Stock Code	Description
P3390	4 1/4" x 2" (108mm x 40mm) Flip Up Welding Goggle

Ear Defence
Disposable Foam Ear Plug



Features

- Cylindrical soft-foam, compress to fit, disposable ear plug
- Designed to provide the ultimate in comfort
- SNR = 37db

Standards

- EN352-2:2002

Stock Code	Description
P3500	Foam Ear Plug

Ear Defence
Duo Band Ear Plug



Features

- Reusable, lightweight and comfortable low pressure band
- Pods can be washed and replaced for repeat use
- Can be worn around the neck when not in use
- SNR = 21 db

Standards

- EN352-2:2002

Stock Code	Description
P3530	Duo Band Ear Plug

Ear Defence
Reusable Corded Ear Plug



Features

- Cylindrical soft-foam, compress to fit ear plug
- Can be worn around the neck when not in use
- SRN = 34db

Standards

- EN352-2:2002

Stock Code	Description
P3570	Reusable Corded Ear Plug

Ear Defence
Ear Defender



Features

- Comfortable, noise reducing ear defender
- General purpose adjustable headband
- SNR = 24db

Standards

- EN352-1:2002

Stock Code	Description
P3590	Red Ear Defender

Welding Curtains
Green PVC Welding Curtain



Features

- Low visibility dark green PVC welding curtain for Mig and Tig welding
- Supplied with eyelets

Materials

- PVC – UV stabilized

Standards

- EN1598:2002

Stock Code	Description
P3646G	Green PVC Welding Curtain 4' x 6' / 1.2m x 1.8m
P3666G	Green PVC Welding Curtain 6' x 6' / 1.8m x 1.8m
P3886G	Green PVC Welding Curtain 8' x 6' / 2.4m x 1.8m
P3610	Curtain Rings

Welding Curtains
Orange PVC Welding Curtain



Features

- Low visibility orange PVC welding curtain for Mig and Tig Welding
- Supplied with eyelets

Materials

- PVC – UV stabilized

Standards

- EN1598:2002

Stock Code	Description
P3646O	Orange PVC Welding Curtain 4' x 6' / 1.2m x 1.8m
P3666O	Orange PVC Welding Curtain 6' x 6' / 1.8m x 1.8m
P3886O	Orange PVC Welding Curtain 8' x 6' / 2.4m x 1.8m
P3610	Curtain Rings

Welding Curtains

Green Canvas Welding Curtain



Features

- Low visibility dark green Canvas welding curtain for Mig and Tig Welding
- Supplied with eyelets

Materials

- Canvas

Standards

- EN1598:2002

Stock Code	Description
P3646CG	Green Canvas Welding Curtain 4' x 6' / 1.2m x 1.8m
P3666CG	Green Canvas Welding Curtain 6' x 6' / 1.8m x 1.8m
P3886CG	Green Canvas Welding Curtain 8' x 6' / 2.4m x 1.8m
P3610	Curtain Rings

Welding Frames

Steel Frame



Features

- Portable curtain frame for use when welding
- Supplied without curtain
- Free Standing

Materials

- Powder Coated Steel

Stock Code	Description
P3646FR	4' x 6' / 1.2m x 1.8m Steel Frame
P3666FR	6' x 6' / 1.8m x 1.8m Steel Frame
P3886FR	8' x 6' / 2.4m x 1.8m Steel Frame

Welding Blankets

Welding Blanket



Features

- Provides protection from sparks and weld spatter
- Heat resistant up to 1000°C

Materials

- Woven glass fibre with thermal treatment

Standards

- BS EN 1869:1997

Stock Code	Description
P3621	Fibre Welding Blanket 600°C 2000mm x 1000mm
P3622	Fibre Welding Blanket 600°C 2000mm x 2000mm
P3623	Fibre Welding Blanket 600°C 3000mm x 2000mm
P3624	Fibre Welding Blanket 1000°C 2000mm x 1000mm
P3625	Fibre Welding Blanket 1000°C 2000mm x 2000mm

Leather

Red Leather Apron c/w Buckle and Ties

**Features**

- Heavy duty leather apron with reinforced eyelets and ties
- Offers protection from sparks and heat generated from welding and industrial applications

Materials

- Split Cow Hide 1.2mm Thick

Standards

- EN470-1:1995

Stock Code	Description
P3720	Red Leather Apron c/w Buckle and Ties 24" x 36" / 65cm x 90cm

Leather

Red Leather Spat

**Features**

- Offers protection for shoes and trousers from sparks and heat generated from welding and industrial applications

Materials

- Split Cow Hide 1.2mm Thick

Standards

- EN470-1:1995

Stock Code	Description
P3740	Red Leather Spat

Leather

Red Leather Sleeve – 18"/45cm

**Features**

- Offers protection for clothes and arms from sparks and heat generated from welding and industrial applications
- Elasticised cuff

Materials

- Split Cow Hide 1.2mm Thick

Standards

- EN470-1:1995

Stock Code	Description
P3760	Red Leather Sleeve 18" / 45cm

Clothing

Leather Welding Jacket



Features

- Worn over garmets to protect body and arms from sparks and spatter
- Velcro and Stud Fastening
- Covering Flap

Materials

- Leather

Standards

- BS EN 470

Stock Code

Description

P3780-M	Red Kevlar® Leather Welders Jacket – M 42"
P3780-L	Red Kevlar® Leather Welders Jacket – L 46"
P3780-XL	Red Kevlar® Leather Welders Jacket – XL 50"
P3780-XXL	Red Kevlar® Leather Welders Jacket – XXL 52"
P3785-M	Chrome Leather Welders Jacket – M 42"
P3785-L	Chrome Leather Welders Jacket – L 46"
P3785-XL	Chrome Leather Welders Jacket – XL 50"
P3785-XXL	Chrome Leather Welders Jacket – XXL 52"

Flame Retardant Clothing

Flame Retardant Boiler Suit



Features

- Reinforced stress points
- Concealed stud front closure
- 2 Chest Pockets and 2 Side Pockets
- Elasticated waist with 2 Back Pockets

Materials

- 335g 100% Cotton fabric with flame retardant treatment
- Navy Blue Colour

Standards

- BS EN 533
- BS EN 532

Stock Code

Description

P3910-M	Flame Retardant Boiler Suit – M 42"
P3910-L	Flame Retardant Boiler Suit – L 46"
P3910-XL	Flame Retardant Boiler Suit – XL 50"
P3910-XXL	Flame Retardant Boiler Suit – XXL 52"

Flame Retardant Clothing

Flame Retardent Hoods



Features

- Front Fastening
- Adjustable

Materials

- 335g 100% Cotton fabric with flame retardant treatment
- Navy Blue Colour

Standards

- BS EN 533
- BS EN 532

Stock Code

Description

P3940	Hood with Short Cape
P3950	Lined Hood with Long Cape

Gloves

Premium Gauntlet



Features

- Double Kevlar® stitched
- Reinforced palm and thumb
- 'A' grade leather
- Minimum palm thickness 1.2mm
- Fully lined and fully welted
- Extra length cuff

Materials

- Cow split leather

Standards

- EN388:2004
- EN407:2004
- EN12477:2001
- Size 10

Stock Code	Description
P3825	Premium Gauntlet

Gloves

Everyday Gauntlet



Features

- Kevlar® stitched
- One piece back
- Fully lined with partial welting
- Minimum palm thickness 1.2mm

Materials

- Cow split leather

Standards

- EN388:2004
- EN407:2004
- EN12477:2001
- Size 10

Stock Code	Description
P3820	Everyday Gauntlet

Gloves

Everyday Tig Glove



Features

- Double Kevlar® stitched
- Reinforced thumb
- Extra long cuff

Materials

- Goatskin

Standards

- EN388:2004
- EN407:2004
- EN12477:2001
- Size 10

Stock Code	Description
P3830	Everyday Tig Glove

Gloves

Premium Fingertip Sensitivity Tig Glove



Features

- Double Kevlar® stitched
- Reinforced thumb

Materials

- Sheep Skin

Standards

- EN388:2004
- EN407:2004
- EN12477:2001
- Size 10

Stock Code	Description
P3835	Premium Fingertip Sensitivity Tig Glove

Gloves

Premium Canadian Rigger Glove



Features

- Premium Split Pig Skin
- 50mm reinforced cuff incorporating vein patch
- Minimum palm thickness 1.2mm

Material

- Pigskin
- Cotton

Standards

- EN388
- Size 10

Stock Code	Description
P3805	Premium Canadian Rigger Glove

Gloves

Standard Canadian Rigger Glove



Features

- Economy Pigskin
- 50mm reinforced cuff incorporating vein patch
- Minimum palm thickness 1.1mm

Material

- Pigskin
- Cotton

Standards

- EN388
- Size 10

Stock Code	Description
P3800	Standard Canadian Rigger Glove

Standard Range



**XR915H Light Reactive
Welding and Grinding Helmet**



**XR914H Everyday
Light Reactive Welding Helmet**

Multi-coloured Range



XR914CW/EN - England



XR914CW/SC - Scotland



XR914CW/DR - Wales



XR914CW/SS - Stars & Stripes

Respiratory Range



XR914A Air Respiratory System



XR914CH Clean Air Respiratory System

Helmets

XR915H Light Reactive Welding and Grinding Helmet

- Slim and Lightweight
- Automatic Light Adjustment from light to dark in 1/25,000th of a second
- Shade Control from DIN9-13
- Variable Sensitivity
- Grinding Mode
- 3 Lightening Delay Settings
- Viewing Area 98mm x 44mm / 3.86" x 1.76"
- Full Face Coverage
- Automatic Power On/Off
- Battery Life Expectancy 6 Years
- UV/IR Protection up to shade DIN 16
- Conforms to CE and BS EN 379:BS EN 175: ANSI Z87.1
- 18 Months Warranty



Helmets

XR915H Light Reactive Welding and Grinding Helmet

Arc welding generates visible light, infrared and ultra violet radiation, which can damage eyes and skin. The Parweld XR915 Light Reactive Welding Helmet offer's the latest innovative protection for the welder.

Moulded Construction

The XR915 is both slim and lightweight in construction. Manufactured from a high impact polyamide nylon material which ensures the helmet provides high levels of comfort and durability. The metallic paint finish ensures maximum heat reflection.

Full Face Coverage

A curved design with a clear spatter shield over the optics provides maximum clarity. The helmet is fully adjustable to suit all head and body types. Features full neck coverage, locking headgear and automatic power on/off switch.

Fast Switching

The auto on, auto darkening, wide view lens switches from light to dark in 1/25,000th of a second and offers continuous eye protection against UV and IR radiation, even when the lens is in the light state mode.

The grinding switch is conveniently located on the outside of the helmet., The switch locks the filter in the light state (Shade 4) to enable the helmet to be used as a grinding visor.

Solar Powered

The helmet is powered by a self-charging solar cell 3-volt lithium battery; there is no need for external batteries or cables. Battery life expectancy is 6 years.

Filters

The welding filter has 2 photo sensors that react independently as the welding arc is struck enabling the almost instantaneous darkening of the filter.

The switching sensitivity knob is located on the outside of the helmet and allows the use of differing light levels.

All Parweld filters have a Shade 4 light state, ideal for welding preparation.

Conforms to European Standards

The XR915H Light Reactive Helmet complies with BS EN 379:1994 and BS EN 175:1997:ANSI Z87.1:1989

Technical Specification

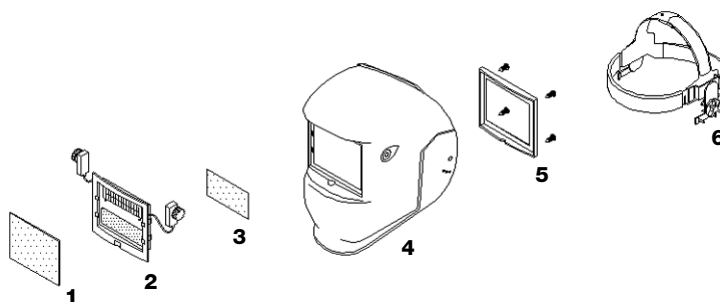
Viewing Area	98mm x 44mm / 3.86" x 1.76"
Cartridge Size	122mm x 100mm x 9mm / 4 ⁵ / ₁₆ " x 3 ¹⁵ / ₁₆ " x ³ / ₈ "
UV/IR Protection	Permanent Shade DIN16
Light State	DIN Shade 4
Dark State	DIN Shade 9 to 13 Variable
Power Supply	Solar cells with built in rechargeable battery (estimated 6 year life)
Power On/Off	Fully Automatic
Switching Time Light to dark	0.00004 seconds
Dark to Light	0.25 - 0.35 seconds - fast position 0.60 - 0.80 seconds - slow position
Operating Temp	-5°C to +55°C (23°F to 131°F)
Storage Temp	-20°C to +70°C (-4°F to -158°F)
Helmet Material	High Impact Polyamide Nylon
Total Weight	560g
Minimum Amperage Required	40 Amps

Parts Information

Stock Code	Description
XR915H	Light Reactive Welding Helmet

XR914CH Spares Information

Stocks Code	Description
1 XR520	Front Cover Lens
2 XR500	Auto Darkening Filter Cartridge
3 XR530	Inside Cover Lens
4 XR915	Helmet Shell Silver
5 XR410	Front Velcro Cover
6 XR440	Adjustable Headband



Helmets

XR914H Everyday Light Reactive Welding Helmet

- Slim and Lightweight
- Automatic Light Adjustment from light to dark in 1/25,000th of a second
- Shade Control from DIN9-13
- Adjustable Sensitivity
- Viewing Area 98mm x 44mm / 3.86" x 1.76"
- Full Face Coverage
- Automatic Power On/Off
- Battery Life Expectancy 6 Years
- UV/IR Protection up to shade DIN 16
- Conforms to CE and BS EN 379:BS EN 175: ANSI Z87.1
- 18 Months Warranty



Helmets

Everyday Light Reactive Welding Helmet

Arc welding generates visible light, infrared and ultra violet radiation, which can damage eyes and skin. The Parweld Everyday Light Reactive Welding Helmet offers the latest innovative protection for the welder.

Moulded Construction

The Everyday Light Reactive Welding Helmet is both slim and lightweight in construction. Manufactured from a high impact polyamide nylon material which ensures the helmet provides high levels of comfort and durability.

Full Face Coverage

A curved design with a clear spatter shield over the optics provides maximum clarity. The helmet is fully adjustable to suit all head and body types. Features full neck coverage, locking headgear and automatic power on/off switch.

Automatic Power on / off

The auto on, auto darkening, wide view lens switches from light to dark in 1/25,000th of a second and offers continuous eye protection against UV and IR radiation, even when the lens is in the light state mode.

Solar Powered

The helmet is powered by a self-charging solar cell 3-volt lithium battery; there is no need for external batteries or cables. Battery life expectancy is 6 years.

Filters

The welding filter has 2 photo sensors that react independently as the welding arc is struck enabling the almost instantaneous darkening of the filter.

All Parweld filters have a Shade 4 light state, ideal for welding preparation.

Conforms to European Standards

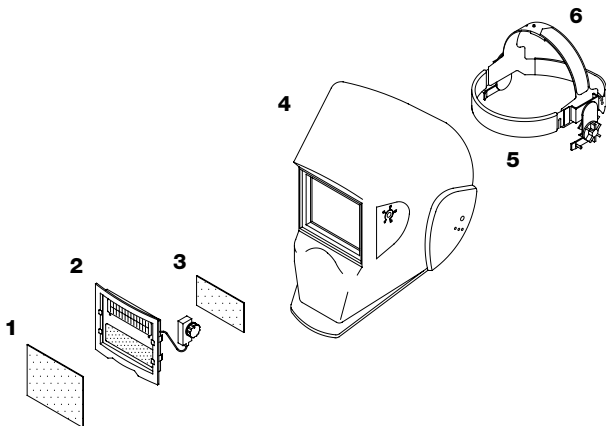
The Everyday Light Reactive Helmet is independently certified to BS EN 379:1994 and BS EN 175:1997:ANSI Z87.1:1989

Parts Information

Stock Code	Description
XR914H	Everyday Light Reactive Welding Helmet

Everyday Spares Information

Stocks Code	Description
1 XR420	Front Cover Lens
2 XR400	Auto Darkening Filter Cartridge
3 XR430	Inside Cover Lens
4 XR914	Helmet Shell
5 XR410	Front Velcro Cover
6 XR440	Adjustable Headband



Technical Specification

Viewing Area	98mm x 44mm / 3.86" x 1.76"
Cartridge Size	122mm x 100mm x 9mm / 4 ⁵ / ₁₆ " x 3 ¹⁵ / ₁₆ " x 3 ⁵ / ₁₆ "
UV/IR Protection	Permanent Shade DIN16
Light State	DIN Shade 4
Dark State	DIN Shade 9 to 13 Variable
Power Supply	Solar cells with built in rechargeable battery (estimated 6 year life)
Power On/Off	Fully Automatic

Switching Time	Light to dark 0.00004 seconds
Dark to Light	0.25 - 0.35 seconds - fast position 0.60 - 0.80 seconds - slow position
Operating Temp	-5°C to +55°C (23°F to 131°F)
Storage Temp	-20°C to +70°C (-4°F to -158°F)
Helmet Material	High Impact Polyamide Nylon
Total Weight	430g
Minimum Amperage Required	40 Amps

Helmets

XR914A Air Respiratory System

XR914A – Airfed System

- Portable and Lightweight
- Protects against dust particle, solid and liquid aerosols and smoke
- Constant filtered air flow
- Light and Eco friendly NiMh battery
- Conforms to BS EN 12941 TH1P and CE: NIOSH 42 CPR84N95
- 18 Months Warranty

Silver Light Reactive Welding Helmet

- Slim and Lightweight
- Automatic Light Adjustment from light to dark in 1/25,000th of a second
- Shade Control from DIN9-13
- Adjustable Sensitivity
- Viewing Area 98mm x 44mm / 3.86" x 1.76"
- Full Face Coverage
- Automatic Power On/Off
- UV/IR Protection upto shade DIN16
- Conforms to BS EN 379:1994 and BS EN 175: 1997; ANSI Z87.1:1989
- 12 Months Warranty



Helmets

XR914A Air Respiratory System

The Parweld XR914A combines the Parweld XR914C Light Reactive Welding Helmet with a clean air respiratory unit to provide the user with added protection against welding fume, dust particles and aerosols.

Clean Air Unit

The Parweld clean air respiratory system provides a steady stream of clean air into the welding mask.

The air is fed into the helmet above the welder's head and exits below the chin.

The air stream combined with the positive pressure created within the helmet prevents contaminated air entering the breathing zone.

Portable and Lightweight

The main unit and battery pack are carried by the user on a support belt around the waist, which is connected to the welding helmet by a lightweight umbilical hose.

Eco and Turbo Mode

The unit can be operated in eco or turbo mode to provide flow rates of 160l/min or 210l/min respectively.

The NiMH battery pack is rechargeable and will operate from 6 to 15 hours continuously, dependant on operational mode.

Pre-filters and Filters

The XR914A uses pre-filter and a P3 particle filter to protect against toxic smoke, dust particles, solid and liquid aerosols.

Made from 100% PES the Pre-filter separates coarse particles from entering the main filter and thereby extending its service life.

The combined filter system separates 90% of airborne particulate.

Conforms to International Standards

The XR914A Air Flow System complies with BS EN 12941 TH1P and CE; NIOSH 42 CPR84N95.

The XR914G – Silver Light Reactive Helmet complies with BS EN 379:1994 and BS EN 175:1997:ANSI Z87.1:1989

Parts Information

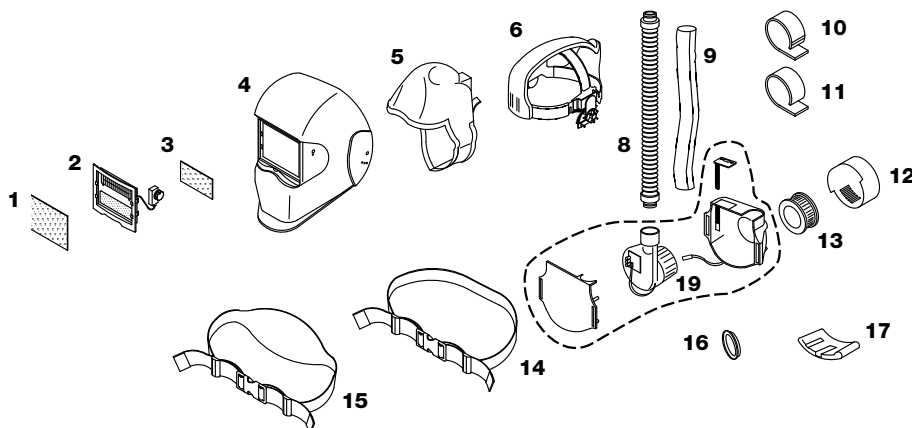
Stock Code	Description
XR914A	Air Respiratory System complete with Helmet

XR914A Spares Information

Stocks Code	Description
1 XR420	Front Cover Lens
2 XR400	Cartridge
3 XR430	Inside Cover Lens
4 XR642	Complete helmet including face seal and air duct
5 XR610	Face Seal – Universal
6 XR640	Air Duct and Adjustable Headband
7 XR410	Front Velcro Cover
8 XR620	Hose
9 XR625	Leather Cover
10 XR672	Pre Filter
11 XR674	Odour Filter (Optional)
12 XR656	Filter Cover
13 XR670	Filter
14 XR630	Comfort Belt – Standard
15 XR635	Comfort Belt – Super
16 XR655	Seal Ring
17 XR680	Battery Pack
18 XR685	Charger – UK
19 XR695	Blower Unit

Technical Data

Minimum Flow	160 to 210 l/min
Weight of power unit including filter and battery	850 / 900G
Noise	55 to 61 dB
Nimh Battery Lifetime	500 to 700 charging cycles
One Charging Cycle	10 to 14 hours
Operating Time of Battery after one Charging	6 to 15 hours
Belt Size	80 to 100 cm
Recommended Working Temperature	10 to 40°C
Recommended Working Humidity	20 to 80% RH



Helmets

XR914CH Clean Air Chemical Unit

XR914CH – Clean Air Chemical Unit

- Portable and Lightweight
- Protects against dust particle, solid and liquid aerosols and toxic fume
- Constant filtered air flow
- Light and Eco friendly NiMH battery
- Conforms to BS EN 12941 TH1P and CE; NIOSH 42 CPR84N95
- 12 Months Warranty

Silver Light Reactive Welding Helmet

- Slim and Lightweight
- Automatic Light Adjustment from light to dark in 1/25,000th of a second
- Shade Control from DIN9-13
- Adjustable Sensitivity
- Viewing Area 98mm x 44mm/3.86" x 1.76"
- Full Face Coverage
- Automatic Power On/Off
- UV/IR Protection up to shade DIN 16
- Conforms to CE and BS EN 379:BS EN 175: ANSI Z87.1
- 12 Months Warranty



Helmets

XR914CH Clean Air Chemical Unit

The Parweld XR914CH combines the Parweld XR914C Light Reactive Unit with a Clean Air Chemical Unit to provide offers protection against welding fume, dust particles, solid and liquid aerosols and toxic fume.

Clean Air Chemical Unit

The Parweld clean air chemical unit provides a steady stream of clean air into the welding mask.

The air is fed into the helmet above the welders head and exits below the chin.

The air stream combined with the positive pressure created within the helmet prevents contaminated air entering into the breathing zone.

Portable and Lightweight

The main unit and battery pack are carried by the user on a support belt around the waist, which is connected to the welding helmet by a lightweight umbilical hose.

Eco and Turbo Mode

The unit can be operated in eco and turbo mode to provide flow rates of 160l/min or 200l/min respectively.

The NiMH battery pack is rechargeable and will operate from 6 to 12 hours continuously, dependent on operational mode.

Pre-Filters and Filters

The XR914CH can be fitted with a range of filters to suit the operating environment. All filters should be the of the same type.

Made from 100% PES the Pre-filter separates coarse particles from entering the main filter and thereby extending its service life.

The combined filter system separates 90% of airborne particulate.

Conforms to International Standards

The XR914CH Clean Air Chemical Unit complies with BS EN 12941 Th1P and CE; NIOSH 42 CPR84N95.

The XR914C – Silver Light Reactive Helmet conforms with BS EN 379;1994 and BS EN 175;1997; NSI Z87.1:1989

Parts Information

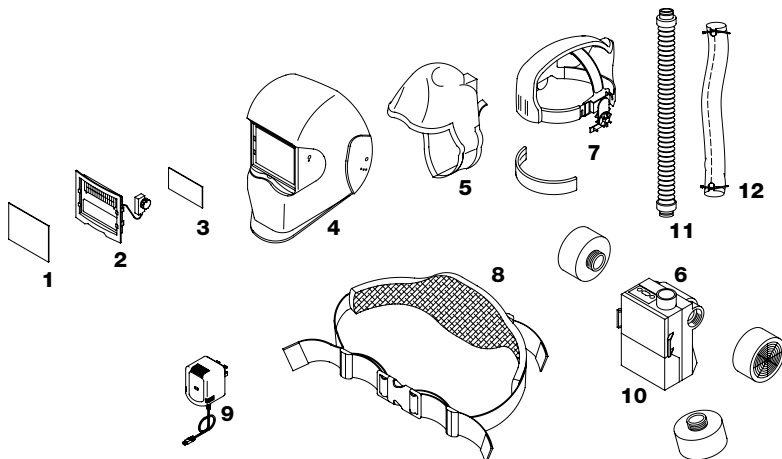
Stock Code	Description
XR701	Particle pre-filter use with XR702 or XR703
XR702	Combined Filter A2P3
XR703	Combined Vilter A2BE2K2P3
XR914CH	Clean Air Chemical Unit complete with Helmet Filters Not Included

Technical Data

Minimum Flow	160 to 200 l/min
Weight of power unit and Battery	1050g
Noise	55 to 61 dB
Nimh Battery Lifetime	500 to 700 charging cycles
One Charging Cycle	10 to 14 hours
Operating Time of Battery after one Charging	6 to 12 hours
Belt Size	70 to 125 cm
Recommended Working Temperature	10 to 40°C
Recommended Working Humidity	20 to 80% RH

XR914CH Spares Information

Stocks Code	Description
1 XR420	Front Cover Lens
2 XR400	Auto Darkening Filter Cartridge
3 XR430	inside Cover Lens
4 XR642	Helmet Complete with Face Seal and Air Duct
5 XR640	Face Seal
6 XR710	Chemical Blower Unit
7 XR640	Adjustable Headband with Air Duct
8 XR635	Comfort Belt Super
9 XR785	UK Charger Chemical Unit
10 XR780	Battery Pack Chemical Unit
11 XR620	PVC Hose
12 XR625	Leather Cover



Replacement Lenses

Standard Glass Filter Lens 4 1/4" x 2" / 108mm x 50mm

- Designed for use with welding helmets to protect the users eyes. Should always be used in conjunction with a clear cover lens.

Standard

- EN 169



Stock Code	Description	Shade
LS0850	Standard Glass Filter Lens 4 1/4" x 2" / 108mm x 50mm	Shade 8
LS0950	Standard Glass Filter Lens 4 1/4" x 2" / 108mm x 50mm	Shade 9
LS1050	Standard Glass Filter Lens 4 1/4" x 2" / 108mm x 50mm	Shade 10
LS1150	Standard Glass Filter Lens 4 1/4" x 2" / 108mm x 50mm	Shade 11
LS1250	Standard Glass Filter Lens 4 1/4" x 2" / 108mm x 50mm	Shade 12
LS1350	Standard Glass Filter Lens 4 1/4" x 2" / 108mm x 50mm	Shade 13

Replacement Lenses

Standard Glass Filter Lens 4 1/4" x 3 1/4" / 108mm x 82mm

- Designed for use with welding helmets to protect the users eyes. Should always be used in conjunction with a clear cover lens.

Standard

- EN 169



Stock Code	Description	Shade
LS0882	Standard Glass Filter Lens 4 1/4" x 3 1/4" / 108mm x 82mm	Shade 8
LS0982	Standard Glass Filter Lens 4 1/4" x 3 1/4" / 108mm x 82mm	Shade 9
LS1082	Standard Glass Filter Lens 4 1/4" x 3 1/4" / 108mm x 82mm	Shade 10
LS1182	Standard Glass Filter Lens 4 1/4" x 3 1/4" / 108mm x 82mm	Shade 11
LS1282	Standard Glass Filter Lens 4 1/4" x 3 1/4" / 108mm x 82mm	Shade 12
LS1382	Standard Glass Filter Lens 4 1/4" x 3 1/4" / 108mm x 82mm	Shade 13

Replacement Lenses

Standard Glass Filter Lens 5 1/4" x 4 1/2" / 133mm x 114mm

- Designed for use with welding helmets to protect the users eyes. Should always be used in conjunction with a clear cover lens.

Standard

- EN 169



Stock Code	Description	Shade
LS0813	Standard Glass Filter Lens 5 1/4" x 4 1/2" / 133mm x 114mm	Shade 8
LS0913	Standard Glass Filter Lens 5 1/4" x 4 1/2" / 133mm x 114mm	Shade 9
LS1013	Standard Glass Filter Lens 5 1/4" x 4 1/2" / 133mm x 114mm	Shade 10
LS1113	Standard Glass Filter Lens 5 1/4" x 4 1/2" / 133mm x 114mm	Shade 11
LS1213	Standard Glass Filter Lens 5 1/4" x 4 1/2" / 133mm x 114mm	Shade 12
LS1313	Standard Glass Filter Lens 5 1/4" x 4 1/2" / 133mm x 114mm	Shade 13

Replacement Lenses

Standard Glass Filter Lens 110mm x 60mm

- Designed for use with welding helmets to protect the users eyes. Should always be used in conjunction with a clear cover lens.

Standard

- EN 169



Stock Code	Description	Shade
LS0860	Standard Glass Filter Lens 110mm x 60mm	Shade 8
LS0960	Standard Glass Filter Lens 110mm x 60mm	Shade 9
LS1060	Standard Glass Filter Lens 110mm x 60mm	Shade 10
LS1160	Standard Glass Filter Lens 110mm x 60mm	Shade 11
LS1260	Standard Glass Filter Lens 110mm x 60mm	Shade 12
LS1360	Standard Glass Filter Lens 110mm x 60mm	Shade 13

Replacement Lenses

Standard Glass Filter Lens 110mm x 90mm

- Designed for use with welding helmets to protect the users eyes. Should always be used in conjunction with a clear cover lens.

Standard

- EN 169



Stock Code	Description	Shade
LS0890	Standard Glass Filter Lens 110mm x 90mm	Shade 8
LS0990	Standard Glass Filter Lens 110mm x 90mm	Shade 9
LS1090	Standard Glass Filter Lens 110mm x 90mm	Shade 10
LS1190	Standard Glass Filter Lens 110mm x 90mm	Shade 11
LS1290	Standard Glass Filter Lens 110mm x 90mm	Shade 12
LS1390	Standard Glass Filter Lens 110mm x 90mm	Shade 13

Replacement Lenses

Clear CR39 Cover Lens

- Designed for use with welding helmets to protect the filter lens from spatter

Standard

- EN 166



Stock Code	Description	Size
LCR3950	CR39 Clear Lens	4 1/4 x 2" / 108 x 50mm
LCR3982	CR39 Clear Lens	4 1/4 x 3 1/4" / 108 x 82mm
LCR3933	CR39 Clear Lens	5 1/4 x 4 1/2" / 133 x 114mm

Replacement Lenses

Clear Glass Cover Lens

- Designed for use with welding helmets to protect the filter lens from spatter

Standard

- EN 166



Stock Code	Description	Size
LC0050	Clear Glass Cover Lens	4 1/4 x 2" / 108 x 50mm
LC0082	Clear Glass Cover Lens	4 1/4 x 3 1/4" / 108 x 82mm
LC0133	Clear Glass Cover Lens	5 1/2 x 4 1/4" / 133 x 114mm
LC1060	Clear Glass Cover Lens	110 x 60mm
LC1090	Clear Glass Cover Lens	110 x 90mm

Replacement Lenses

Clear Polycarbonate Cover Lens

- Designed for use with welding helmets to protect the filter lens from spatter

Standard

- EN 166



Stock Code	Description	Size
LP0050	Clear Polycarbonate Cover Lens	4 1/4 x 2" / 108 x 50mm
LP0060	Clear Polycarbonate Cover Lens	110 x 60mm
LP0082	Clear Polycarbonate Cover Lens	4 1/4 x 3 1/4" / 108 x 82mm
LP0133	Clear Polycarbonate Cover Lens	5 1/2 x 4 1/4" / 133 x 114mm